

## **wide range engineering**

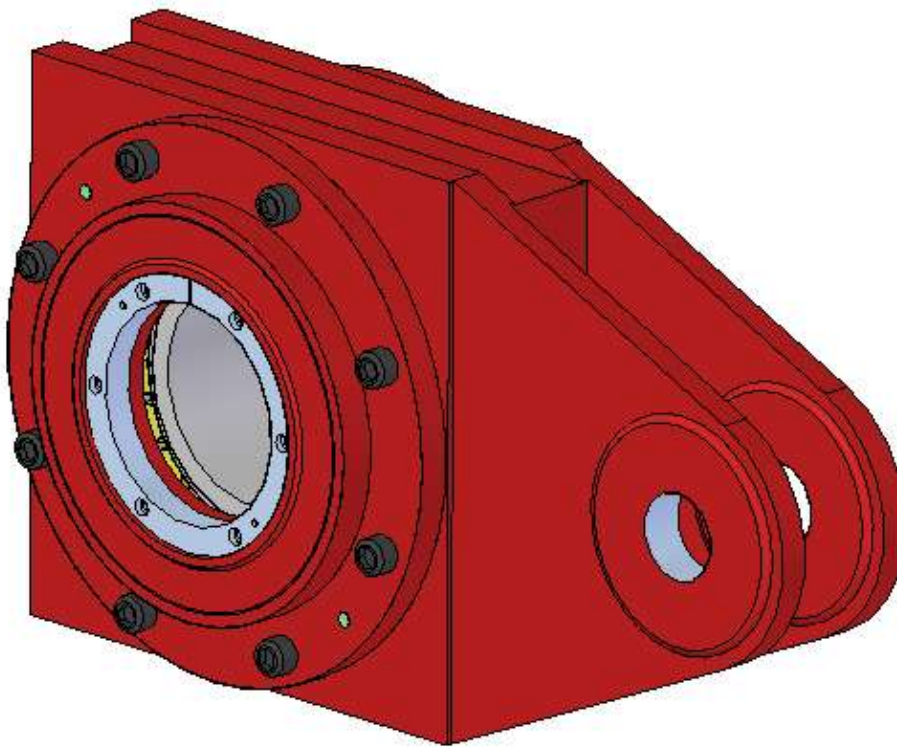
© Copyright wide range engineering 2009

The contents of this publication are the copyright of the publisher and may not be reproduced (even extracts) unless permission is granted. Every care has been taken to ensure the accuracy of the information contained in this publication but no liability can be accepted for any loss or damage whether direct, indirect or consequential arising out of the use of the information contained herein.



**wide range engineering**

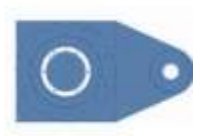
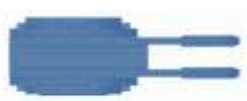
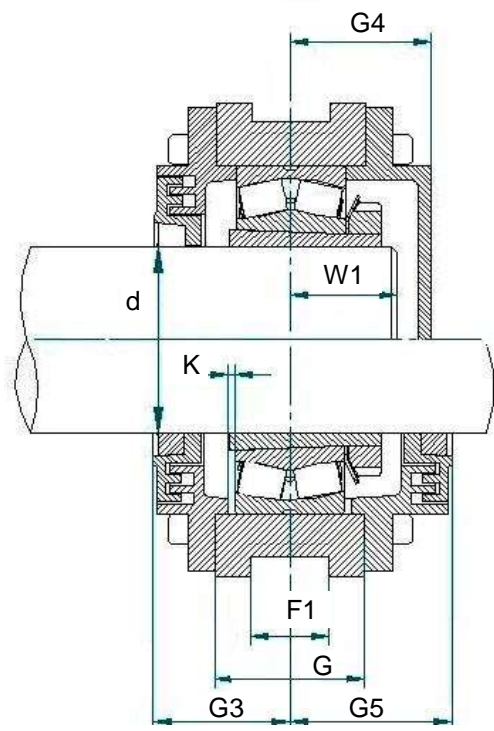
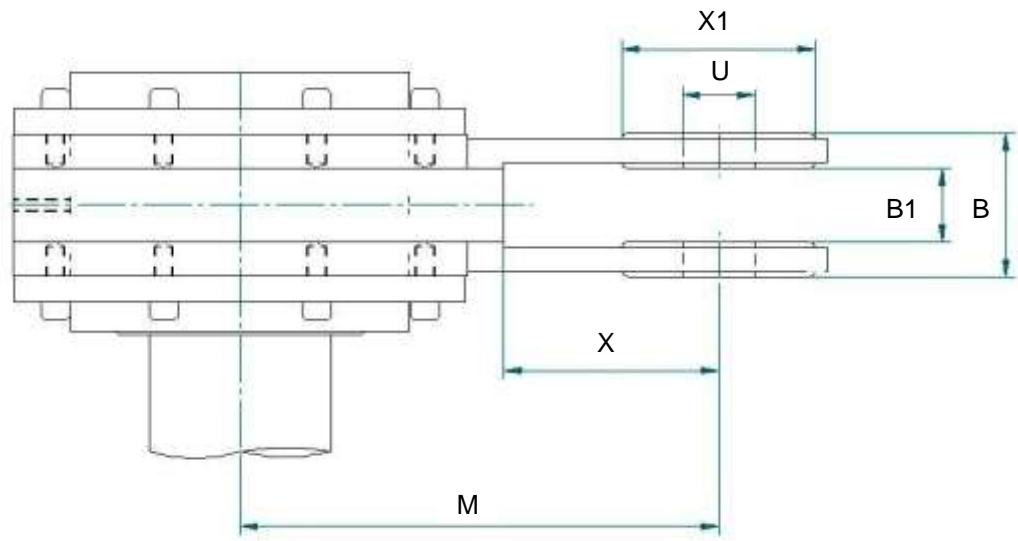
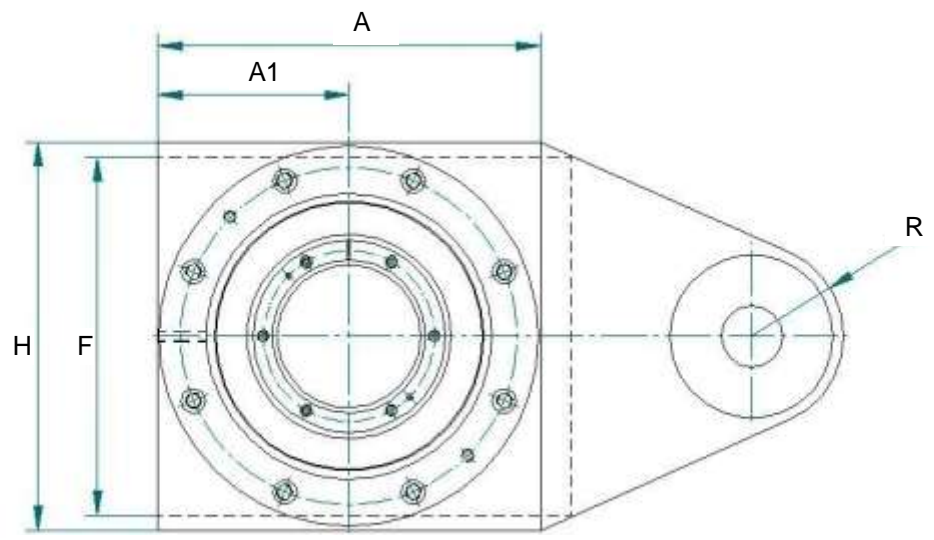
**SPA TYPE TAKE-UP BEARING HOUSINGS  
SOLID STEEL HOUSINGS WITH COMPLEX LABYRINTH  
AND TACONITE SEALING  
ARRANGEMENTS**

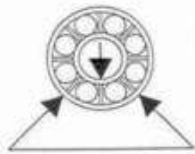


**For use with Spherical Roller Bearings on  
taper sleeve mounting or direct on shaft.**

**Designed Specifically for use on gravity  
TAKE-UP Pulleys on Belt Conveyor Systems  
Able to carry HIGH Radial and Axial Loads.**







# wide range engineering cc

BEARING APPLICATION ENGINEERING

114 Koornhof Road, Meadowdale  
P.O. Box 10272, Edenglen, 1613  
CO. REG. NO. 88/33594/23

Telephone: (011) 974-0852  
Fax No.: (011) 974-0034

Please contact us on:

E-mail: [sales@wre-eng.com](mailto:sales@wre-eng.com)

Also please visit us at:

Website: [www.wre-eng.com](http://www.wre-eng.com)



# Some useful hints on application of SPA Take-Up bearing housing assembly

## Mounting

Measure the internal clearance in the bearing and reduce to the correct figure by driving up the bearing on the adaptor sleeve. The required final clearance figures are published in most bearing catalogues.

## Location

Ensure that when two housings are mounted on one shaft only one of the bearings is located in the housing by means of locating rings and that the other is free to move in the housing when thermal expansion or contraction take place in the shaft.

## Lubrication

Over lubrication can cause problems. Pack the free space within the bearing and housing about two thirds full of grease leaving one third air space to prevent churning and subsequent overheating.

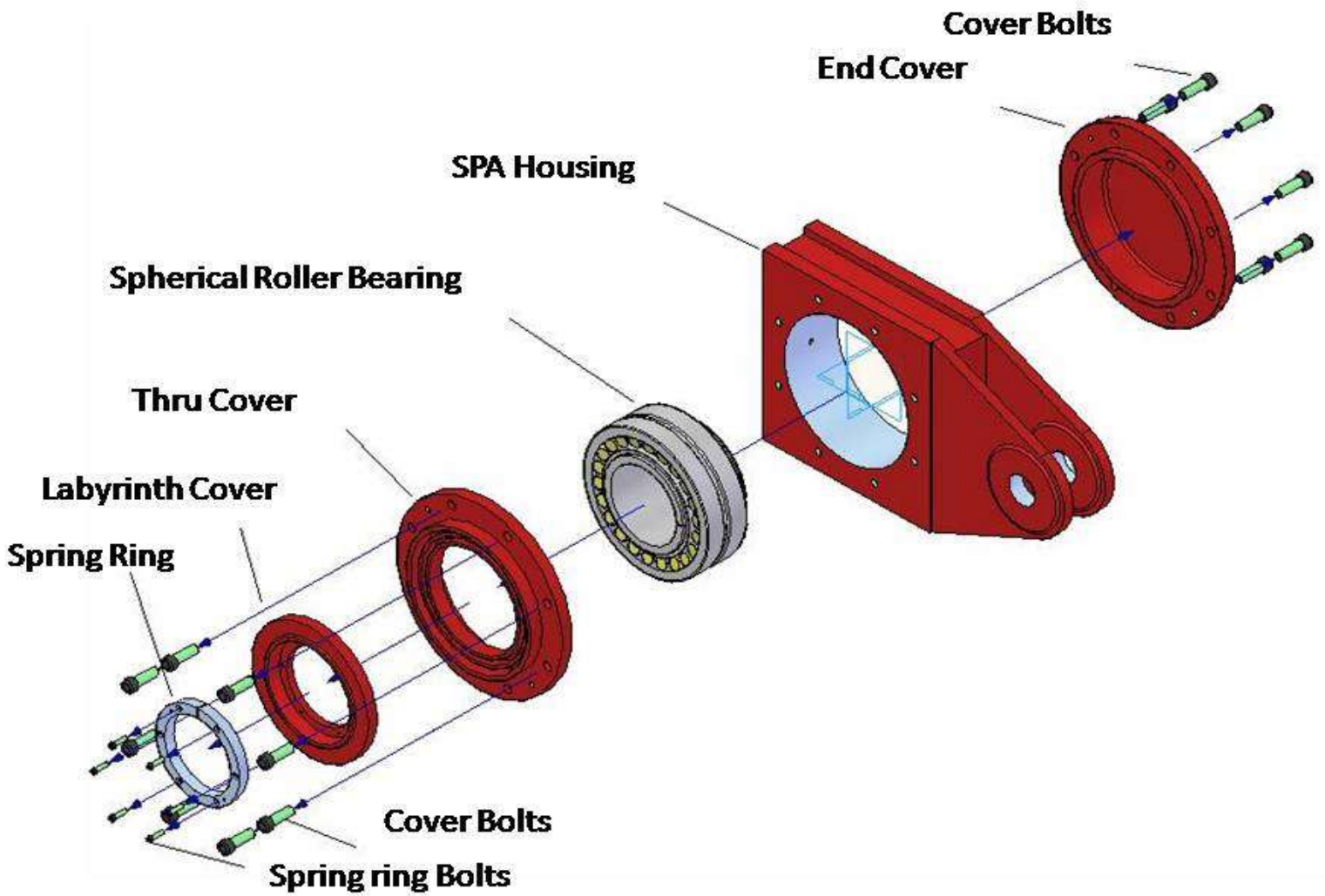


# Dimension Table

Shaft Dia. d	Designation	Spherical Roller Bearing	Adapter Sleeve	Mass kg	W1	A	A1	B	B1	F	F1	G	G3	G4	G5	H	K	M	R	U	X	X1
50	SPA 2211	22211K	H 311	9	27	150	75	42	22	135	34	50	49	35	60	150	2	105	30	20	30	40
55	SPA 2212	22212K	H 312	10	30	165	82.5	50	26	150	43	60	54	40	66	165	2	120	35	25	37.5	50
60	SPA 2213	22213K	H 313	10	35	160	80	66	30	155	53	78	62.5	53	73	180	2	145	40	30	65	60
70	SPA 2216	22216K	H 316	17	40	180	90	66	30	175	53	78	67	58	78	200	2	155	40	30	65	60
80	SPA 2218	22218K	H 318	25	45	210	105	66	30	200	53	78	78.5	63	90	230	2	170	40	30	65	60
90	SPA 2220	22220K	H 320	26	46	235	117.5	70	36	220	40	69	80	65	90	250	2	185	40	35	67.5	65
100	SPA 2222	22222K	H 322	27	55	255	125	76	40	240	53	78	94.5	68	94.5	270	2	200	45	40	70	70
	SPA 3222	23222K	H 2322	27	60	270	135	100	44	270	53	90	91	76	103	300	2	195	60	50	60	60
110	SPA 2224	22224K	H 3124	30	58	275	135	76	40	260	53	78	85	69	95	290	2	210	45	40	70	70
	SPA 3224	23224K	H 2324	30	64	290	145	100	44	280	53	95	93	78	108	310	2	205	60	50	60	95
115	SPA 2226	22226K	H 3126	38	61	295	147.5	76	40	290	53	82	87	78	110	310	2	220	45	40	70	70
	SPA 3226	23226K	H 2326	38	66	300	155	112	52	305	63	100	103	79	108	335	2	220	70	60	75	110
125	SPA 2228	22228K	H 3128	41	65	315	155	76	40	300	53	83	113	78	113	330	3	230	45	40	70	70
	SPA 3028	23028K	H 3028	48	55	260	130	150	60	270	45	70	68	68	88	300	3	225	70	50	90	90
	SPA 3228	23228K	H 2328	48	72	330	170	112	52	330	63	110	108	88	118	360	3	235	70	60	75	90
135	SPA 3030	23030K	H 3030	58	60	280	140	150	60	290	45	85	82	82	112	320	2	235	70	50	90	90
	SPA 3230	23230K	H 2330	60	78	360	180	126	62	355	73	120	113	93	123	385	2	260	80	70	80	120
140	SPA 3132	23132K	H 3132	120	60	370	185	132	62	340	65	116	108	108	121	370	3	350	90	61	160	100
	SPA 3232	23232K	H 2332	120	84	380	190	126	62	370	83	130	118	98	133	400	3	270	80	70	80	120
150	SPA 3034	23034K	H 3034	85	68	325	162.5	150	60	330	65	102	88	88	113	360	2	260	70	50	90	90
	SPA 3134	23134K	H 3134	110	80	375	187.5	132	62	370	65	120	113	113	136	400	3	395	90	60	180	100
160	SPA 3236	23236K	H 2336	135	90	420	210	140	72	410	93	140	133	108	148	450	3	300	90	80	90	140
170	SPA 3038	23038K	H 3038	130	72	375	180	150	60	400	65	105	93	88	118	440	3	290	70	50	90	90
180	SPA 3040	23040K	H 3040	165	90	390	200	125	62	400	83	110	108	98	133	430	2	275	80	70	75	110
	SPA 3140	23140K	H 3140	165	95	420	210	140	70	410	100	140	120	115	150	440	2	360	80	60	140	100
	SPA 3240	23240K	H 2340	170	100	470	235	140	72	460	103	165	138	118	158	500	2	325	90	80	90	140
200	SPA 3044	23044K	H 3044	180	90	430	210	200	70	440	65	120	103	103	138	480	3	325	80	60	100	100
	SPA 3144	23144K	H 3144	260	80	470	235	144	74	480	65	150	135	125	160	510	4	530	120	100	260	140
	SPA 3244	23244K	H 2344	260	112	520	165	240	173	500	103	175	148	133	183	540	4	575	150	100	245	175
220	SPA 3148	23148K	H 3148	315	110	520	260	215	123	500	65	152	149	129	179	540	4	515	150	100	250	250
	SPA 3248	23248K	H 2348	320	122	560	280	240	173	540	103	190	148	148	188	580	4	600	150	100	250	175
240	SPA 3052	23052K	H 3052	235	94	500	245	215	123	500	65	135	113	113	148	540	4	515	150	100	250	250
	SPA 3152	23152K	H 3152	325	115	550	275	225	135	540	80	175	150	140	185	570	4	565	150	100	270	250
	SPA 3252	23252K	H 2352	330	132	590	305	240	173	570	103	205	167	158	208	610	4	615	150	100	220	200
260	SPA 3256	23256K	H 2356	420	135	630	315	240	173	610	123	210	178	163	218	650	4	630	150	100	220	175
280	SPA 3160	23160K	H 3160	440	130	630	315	270	170	610	130	190	170	155	215	650	4	650	150	100	310	200
	SPA 3260	23260K	H 3260	620	145	680	340	270	190	650	115	230	182	187	222	690	4	680	180	100	310	260
300	SPA 3164	23164K	H 3164	610	135	665	340	240	170	630	123	210	177	187	212	670	4	650	150	100	230	175
	SPA 3264	23264K	H 3264	625	152	710	355	300	213	670	123	250	192	187	237	710	4	725	200	110	275	185
320	SPA 3168	23168K	H 3168	630	160	740	370	300	180	700	150	220	200	200	245	740	4	740	200	120	310	240
	SPA 3268	23268K	H 3268	650	175	750	375	300	213	700	123	265	202	237	272	750	4	750	200	110	285	185
340	SPA 3272	23272K	H 3272	885	190	800	400	330	213	790	123	275	227	222	282	830	5	765	225	130	310	280
360	SPA 3176	23176K	H 3176	700	170	750	375	300	200	740	120	230	202	202	257	790	5	750	200	110	320	230
	SPA 3276	23276K	H 3276	780	186	810	420	300	213	780	123	295	232	257	297	820	5	780	200	110	310	230
380	SPA 3280	23280K	H 3280	910	195	870	435	300	213	820	123	300	242	257	307	870	6	800	200	110	270	185
400	SPA 3284	23284K	H 3284	990	211	925	463	300	213	860	123	315	252	267	317	925	6	825	200	110	262	185



# SPA TAKE-UP HOUSING



# SPA TYPE HOUSINGS

## THESE TAKE-UP HOUSINGS HAVE ADVANTAGES OVER OTHER SYSTEMS IN THE FOLLOWING WAYS.

Due to their solid steel construction they can withstand very high static and dynamic loads in both radial and axial directions.

The side guide channels are an integral part of the housing assembly ensuring superior strength over fabricated equivalents.

The complex labyrinth or Taconite seals formed between the rotating seal ring and the fixed cover perform an outstanding sealing function against ingress of dirt and moisture.

